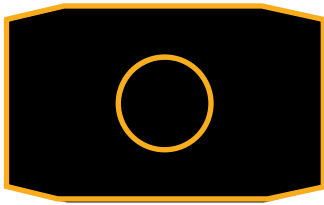
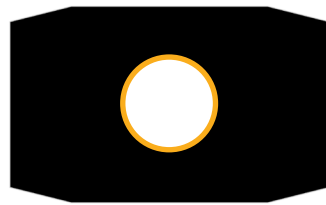


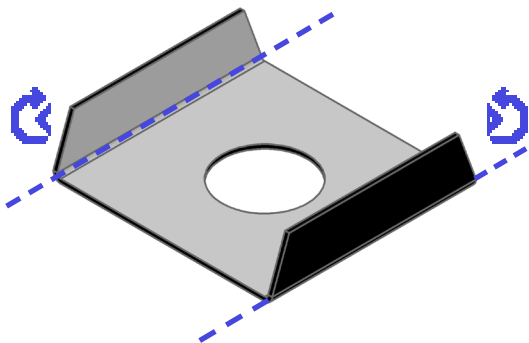
Camera Cover Instructions



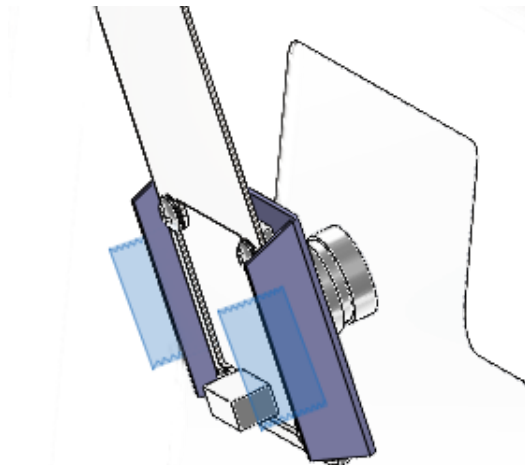
1 Cut out the camera cover along the solid line.



2 Cut out center circle along solid line.



3 Fold along dotted lines.



4 Place cover over camera with the camera lens through the center hole. Secure with tape.